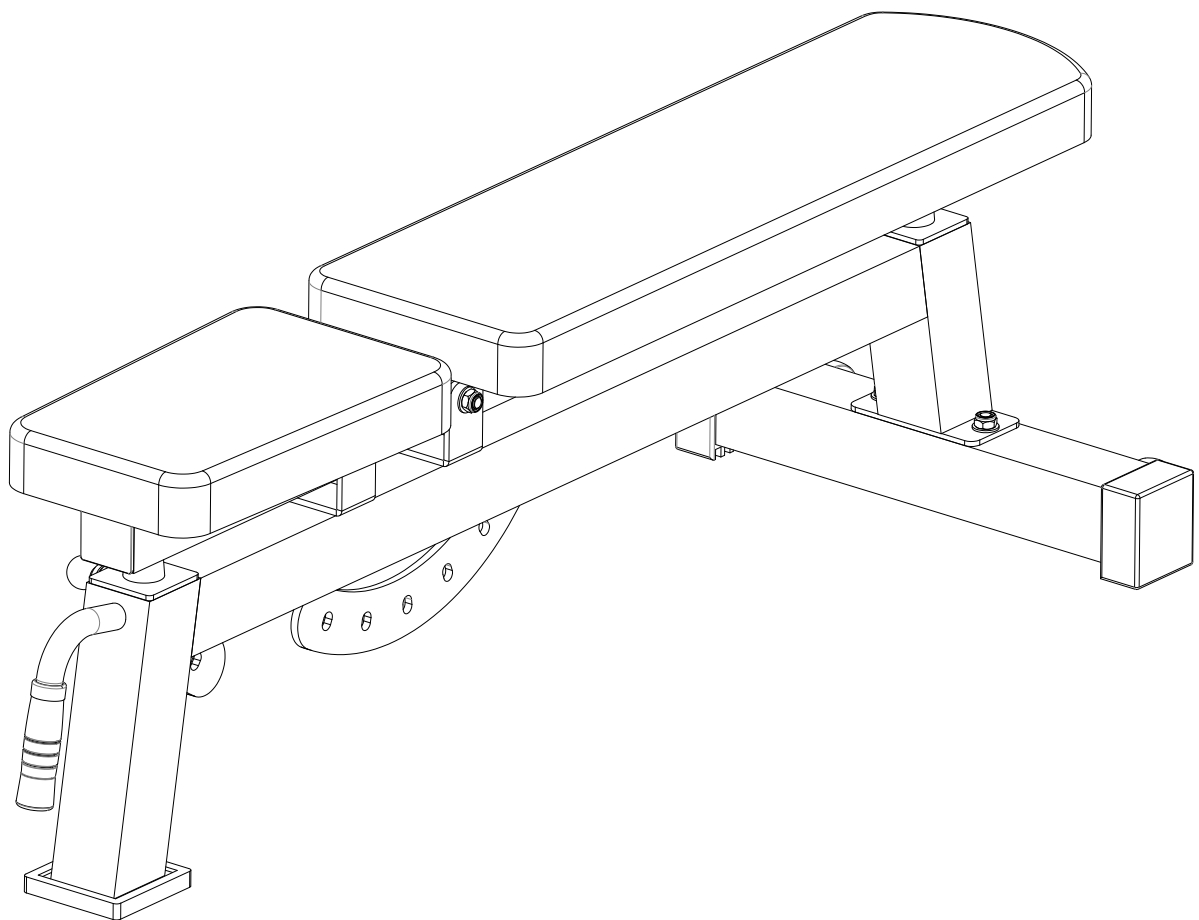


# GORILLA SPORTS

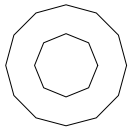
## Bench (101025)



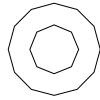


# GORILLA SPORTS

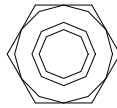
Washer: ( $\phi 12$ ) Washer: ( $\phi 8$ ) Lock Nut: (M12) Hex Bolt: (M8\*25)



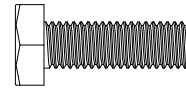
12X



7X



4X



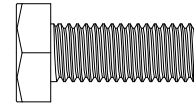
6X

Hex Bolt: (M8\*75)



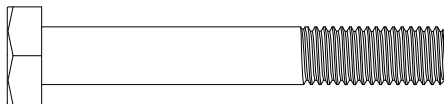
1X

Hex Bolt: (M12\*25)



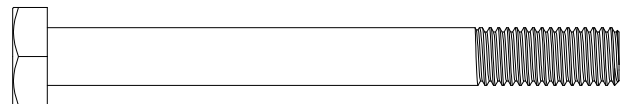
4X

Hex Bolt: (M12\*95)



2X

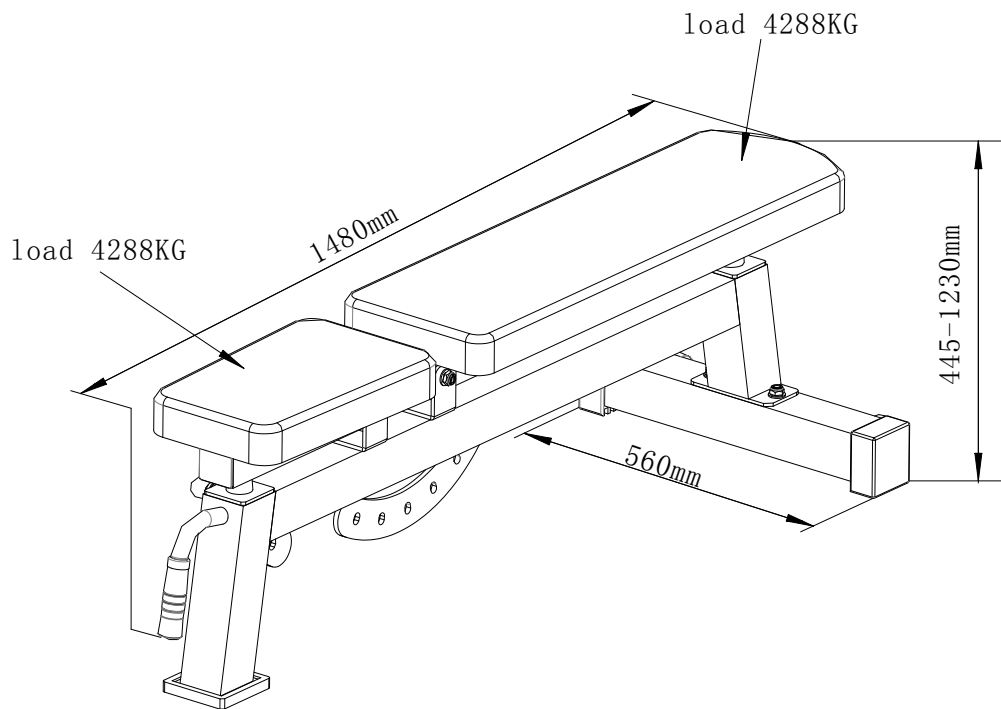
Hex Bolt: (M12\*105)



2X

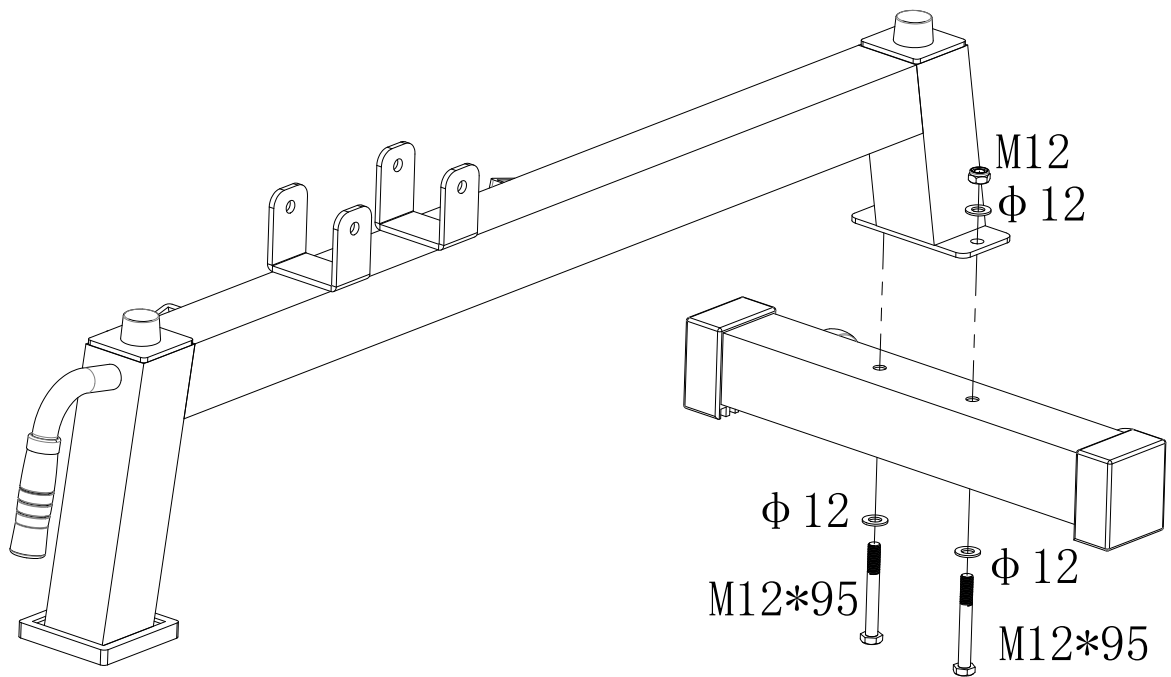
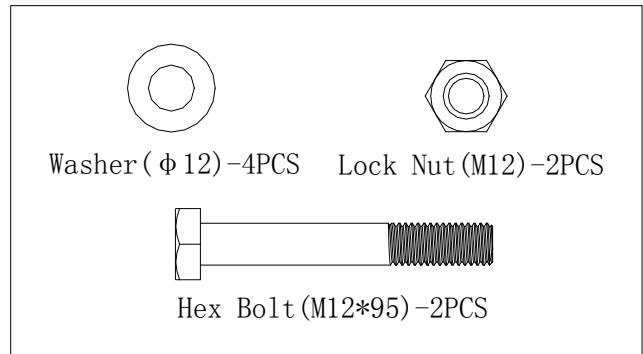


# GORILLA SPORTS

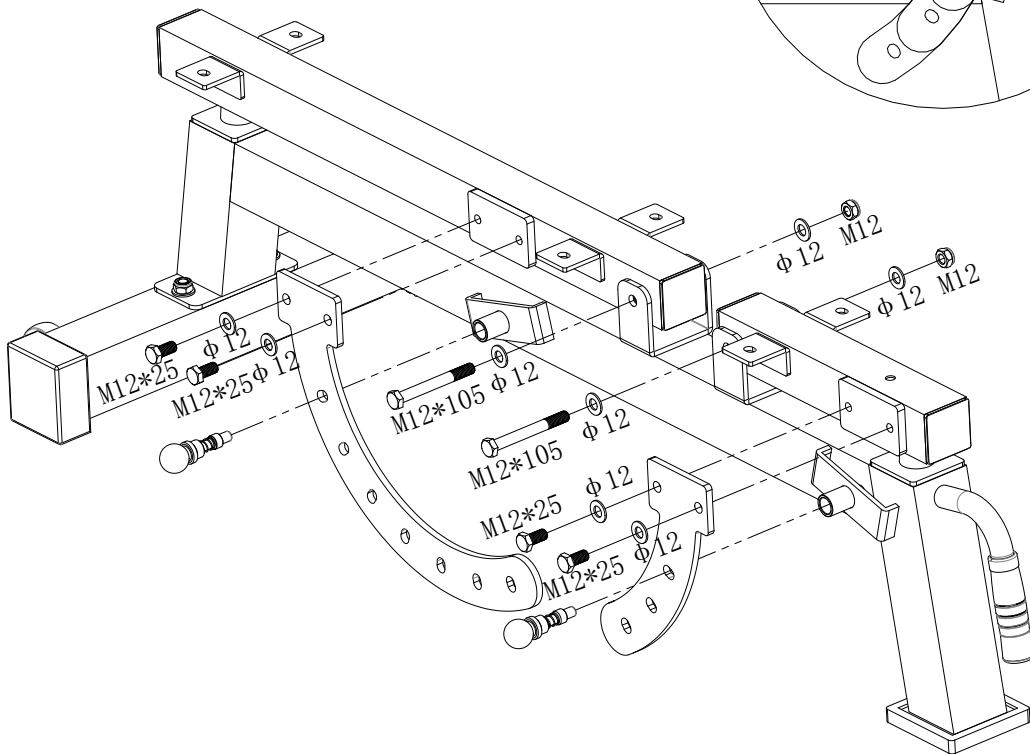
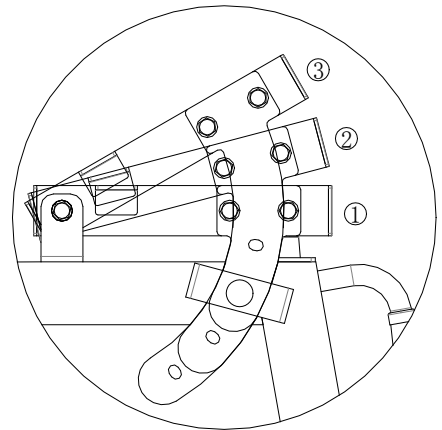
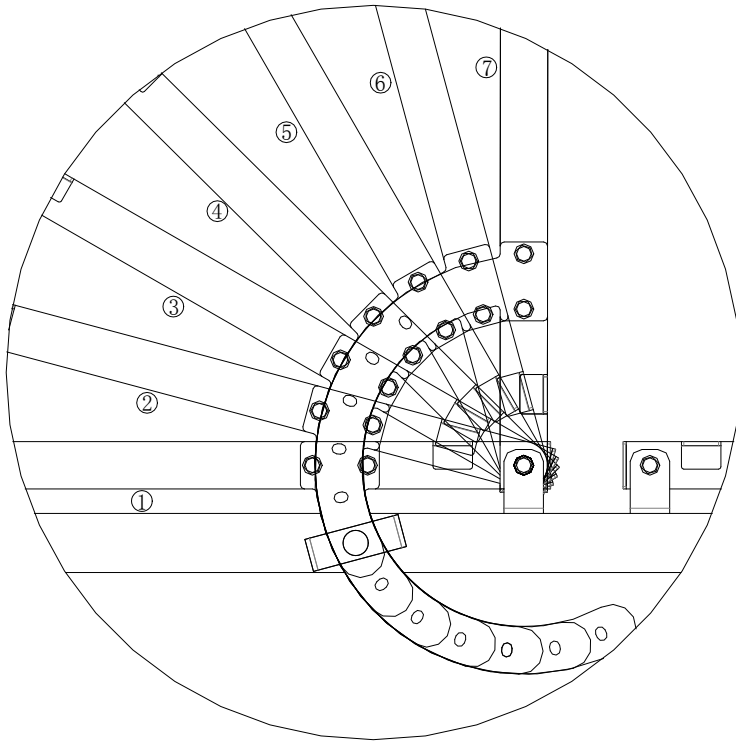
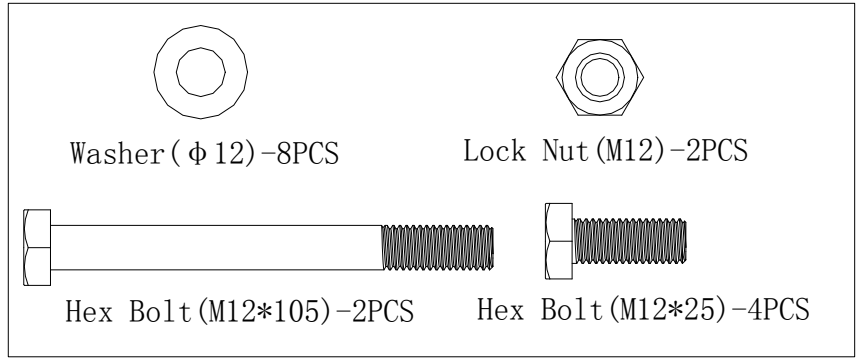


Maximum loading (SGS report CZHL1903000456SP) 4288kg

# 1



# 2



# 3

